

MotorGuide REPAIR PARTS

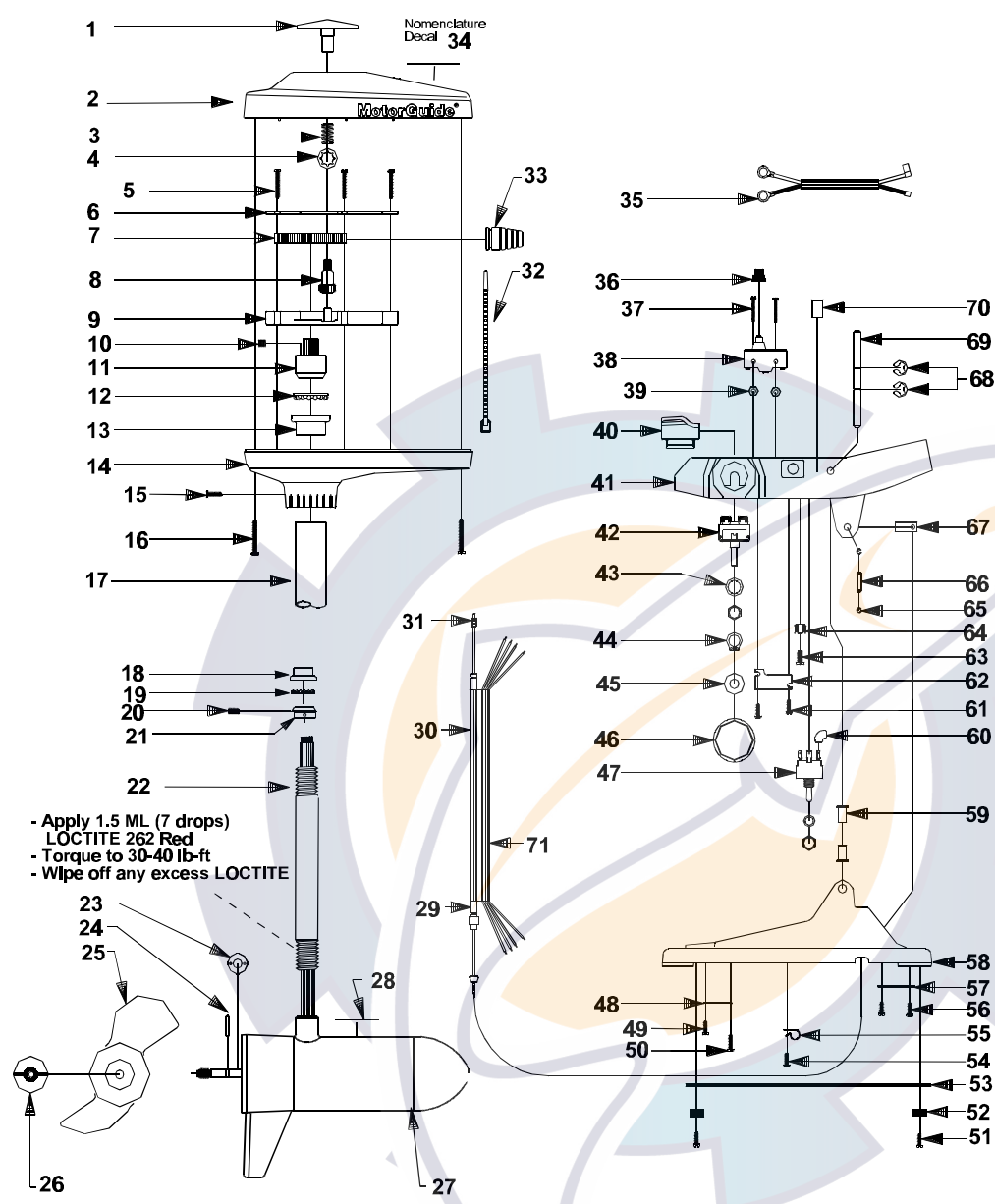
Model:
ZX41

SPECIFICATIONS:
 Year of Intro 1998
 Thrust 43LBS
 Volts 12VDC
 Amp Draw 0 to 48 amps
 Mount 01 Bow
 Speeds 5 Forward

QUICK REFERENCE PARTS GUIDE:
 Momentary switch AP151-01
 Toggle Switch FP153-03
 Motor Seal Kit 6220
 Rotary Switch HF150-01

PARTS ORDERING & TECH ASSISTANCE
 MotorGuide Consumer Relations
 Phone 918-831-6989
 Fax 800-982-8093
Send Returned Goods to:
 MotorGuide
 605 Hwy 12 West
 Starkville, MS 39760

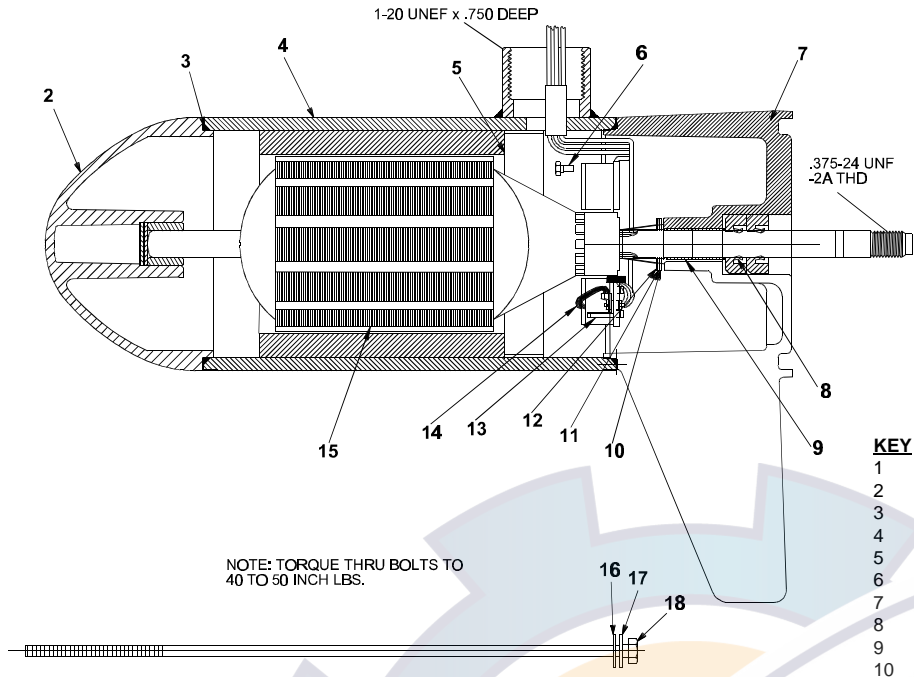
Returned Goods must be accompanied with a Returned Goods Authorization. Contact MotorGuide Consumer Relations to obtain RGA.



| KEY | DESCRIPTION | PART # | KEY | DESCRIPTION | PART # | KEY | DESCRIPTION | PART # |
|-----|----------------------------|----------|-----|-----------------------------|----------|-----|---------------------------|-----------|
| 1 | INDICATOR BLACK | JF078-03 | 27 | 12 VOLT 5 SPEED MOTOR 43LB | EF397-03 | 51 | 6 X 1/2 SCREW | AF135-01 |
| 2 | T/H COVER COMPLETE BLACK | EF053-13 | 28 | LOWER UNIT DECAL | ET060-04 | 52 | FOOT PEDAL PAD | KP023-01 |
| 3 | COMPRESSION SPRING | AF014-01 | 29 | 63" CONTROL CABLE STUD ASY | 9377 | 53 | WEIGHT PLATE ASY | LP3123-01 |
| 4 | TINNERMAN CLIP | AF046-01 | | 54" CONTROL CABLE STUD ASY | 9766 | 54 | 6 X 1/2 SCREW | AF135-01 |
| 5 | #6 RACK GUIDE SCREW | AF133-01 | | 69" CONTROL CABLE STUD ASY | 9767 | 55 | CABLE CLAMP | KP036-01 |
| 6 | RACK GUIDE COVER | AF127-01 | 30 | 63" CONTROL CABLE ASY | LP327-06 | 56 | SCREWS | IR133-01 |
| 7 | RACK | AP125-01 | | 54" 5 SP CONTROL CABLE ASY | LP327-07 | 57 | BATTERY CLAMP | KP036-02 |
| 8 | INDICATOR GEAR | AF069-01 | | 69" 5 SP CONTROL CABLE ASY | LP327-08 | 58 | FOOT PEDAL BASE | LP003-01 |
| 9 | RACK GUIDE COVER | AF126-01 | 31 | CONTROL CABLE STUD | AP141-01 | 59 | SHAFT BUSHING | KP021-01 |
| 10 | 1/4 NUT SET SCREW | AF142-01 | 32 | CABLE TIE | AF030-01 | 60 | INSULATING SLEEVE | AT080-01 |
| 11 | NUT-SUB ASY | AF398-02 | 33 | GROMMET | AP071-01 | 61 | 6 X 1/2 SCREW | AF135-01 |
| 12 | BALL BEARING | AF005-01 | 34 | NOMENCLATURE | AF056-09 | 62 | RETAINER PLATE | LP123-03 |
| 13 | BEARING CUP | AF007-01 | 35 | BATTERY CABLE ASY WITH PLUG | LP328-07 | 63 | #10 X 1/2" SCREW | GR133-01 |
| 14 | TOP HOUSING BASE F/O BLACK | JF004-03 | 36 | MICRO SWITCH BOOT | KP157-01 | 64 | TERMINAL (4PRONG) | FT160-03 |
| 15 | 6 X 5/8 SCREW | AP133-01 | 37 | #6 32 X 1 1/2 SCREW | LP135-01 | 65 | E RING | FP046-01 |
| 16 | 8 X 1-3/8 SCREW | AR133-01 | 38 | MICRO SWITCH | AP151-01 | 66 | CABLE PIVOT PIN | AP105-01 |
| 17 | 36" OUTER TUBE | AF165-01 | 39 | 6 - 32 NUT S.S | SP098-02 | 67 | CABLE PIVOT | LP091-01 |
| | 42/50" OUTER TUBE | AF165-06 | 40 | MICRO BUTTON | LP026-01 | 68 | E RING | BK046-01 |
| 18 | BEARING CUP | FM007-01 | 41 | FOOT PEDAL | LP101-03 | 69 | FOOT PEDAL ROCKER PIN | LP102-01 |
| 19 | BALL BEARING | FM005-01 | 42 | ROTARY SWITCH | HF150-01 | 70 | C.ON/MOM/HBP SWITCH DECAL | LP057-03 |
| 20 | SET SCREW | AF143-01 | 43 | LOCK WASHER 3/8 | KP171-01 | 71 | 63" ELECTRIC CABLE JACKET | MM9006-02 |
| 21 | BEARING CONE | AF006-01 | 44 | GRIP RING | LP046-01 | | 69" ELECTRIC CABLE JACKET | MM9006-03 |
| 22 | 36" .187 ALUM. F/O COLUMN | DF049-01 | 45 | NYLON WASHER | AK171-02 | | | |
| | 42" .187 ALUM. F/O COLUMN | DF049-02 | 46 | 5 SPEED KNOB | LP082-07 | | | |
| 23 | MONOFILAMENT WASHER | AR175-01 | 47 | TOGGLE SWITCH 3 POSITIONS | FP153-03 | | | |
| 24 | PROP DRIVE PIN | BR102-01 | 48 | CABLE PLATE | KP123-01 | | | |
| 25 | PROP | AF124-10 | 49 | #6 SELF TAP SCREW | EK135-01 | | | |
| 26 | PROP NUT | AR099-01 | 50 | 6 X 1/2 SCREW | AF135-01 | | | |

LOWER UNIT BREAKDOWN

Model:
ZX41



NOTE: TORQUE THRU BOLTS TO 40 TO 50 INCH LBS.

| KEY | QTY | DESCRIPTION | PART NO. |
|-----|-----|-----------------------|-----------|
| 1 | X | MOTOR | EF397-03 |
| 2 | 1 | NOSE CAP | JF3212-01 |
| 3 | 2 | O RING SEAL | MR217-01 |
| 4 | 1 | HOUSING ASY | KF3210-01 |
| 5 | 1 | RETAINER | JF233-01 |
| 6 | 2 | BRUSH CARD SCREW | MR228-01 |
| 7 | 1 | COMM CAP | DF3205-01 |
| 8 | 2 | SHAFT SEAL | MR223-01 |
| 9 | 1 | BEARING | MR206-01 |
| 10 | 1 | NYLATRON WASHER | MR226-01 |
| 11 | 1 | WASHER | MR227-01 |
| 12 | 1 | E RING | MR219-01 |
| 13 | 2 | BRUSH SPRINGS | MR214-02 |
| 14 | 1 | BRUSH ASY LESS SPRING | DF3201-01 |
| 15 | 1 | ARMATURE 3.5" | KF3207-01 |
| 16 | 4 | STATIC SEAL | MR222-01 |
| 17 | 4 | THRU BOLT WASHER | MR216-01 |
| 18 | 2 | THRU BOLT | MR218-01 |

WIRING

12V WIRING DIAGRAM

